

Modulating Control, 0-95° Output Angle, Auto Protection System, Universal Coupling



### TECHNICAL DATA

Power Supply	AC/DC 24V±10%
Output Torque	85in-lb (10Nm)
Run Time*	80s-130s
Operating Power	6VA
Standstill Power	1-3VA
Output Angle	90° (95° Max)
Control Signal	DC0(2)-10V DC0(4)-20mA
Feedback Signal	DC0(2)-10V
Universal Coupling	Ø10-18mm or □6-12mm
Overload Protection	Automatic
Protection Class	IP54 / NEMA2
Ambient Conditions	-10°C - +55°C 0-90% Rh
Noise Level(Max)	40dB(A)
Weight	2.2 lb / 1 kg

### BASIC FEATURES

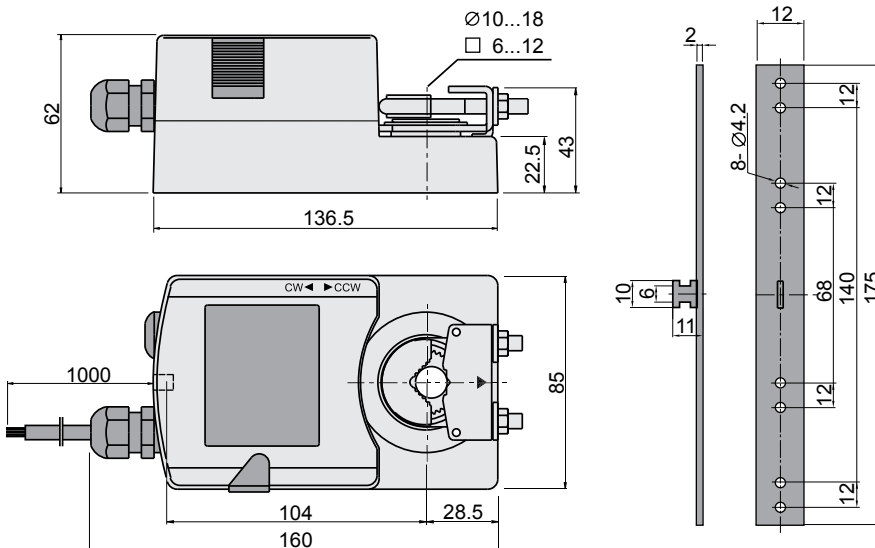
Type	Output/Hold Torque	Voltage	Control Signal	Operating Power	Standstill Power	Run Time*	Output Angle
EMO-85M-24	85in-lb(10Nm)	AC/DC24V	DC0(2)-10V / DC0(4)-20mA	6VA	1-3VA	80s-130s	0-95°

\*Dependent on load

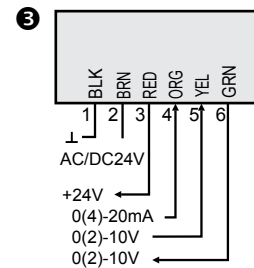
### OPTIONAL FEATURES

Type	Descriptions
------	--------------

### DIMENSIONS (mm)



### WIRING DESCRIPTIONS



Wiring Diagrams	Power Supply
EMO...-24	AC/DC24V



226201  
Certified to UL 429  
NRTL