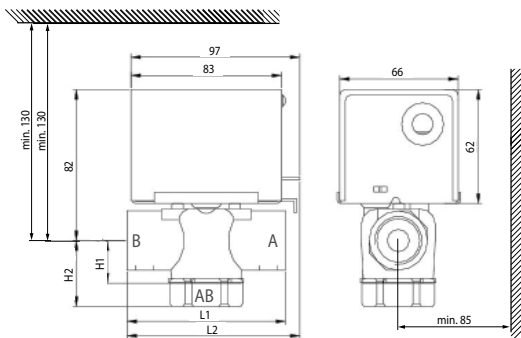


Technical Data	
Operating pressure limits	300 PSI (100kPa)
Service	hot and chilled water, up to 50% glycol
Motor voltage	24VAC @ 50/60Hz, 110/120VAC @ 50/60Hz, 230VAC @ 50Hz/60Hz
Power consumption	6.5Watts, 7 VA
Stroke speed	power stroke 13 to 18 seconds, spring return stroke 4 to 5 seconds
Seat leakage	zero leakage 100% bubble-tight close-off
Body materials	
Body	forged brass
Stem	nickel-plated
Seat	brass
Paddle	NBR
Actuator materials	stainless steel base plate, plastic cover
Ambient temperature limits	
Shipping & storage	-40° to +160° (-40 to +71°)
Operating fluid	32° to 200° (0 to 93°)
Operating ambient	32° to 104° (0 to 40°)

### Dimensions



Type	DN	Inches	L1	L2	H1	H2
EXT-SW-SE	15	1/2"	70	86	23	—
EXT-SW-SE	20	3/4"	70	86	37	—
EXT-SW-SE	25	1"	87	93	23	—
EXT-SW-NE	15	1/2"	87	93	—	37
EXT-SW-NE	20	3/4"	94	95	—	25
EXT-SW-NE	25	1"	94	95	—	42

### Applications

- Fan coil units and baseboards where fail safe operation or 2-wire control is required
- Hydronic systems with variable or constant flow

### Mode of Operation

- Zone valves provide a convenient way to create individual zones or equipment isolation in a hydronic system.
- Utilizing one pump along with multiple zone valves, flow can be started, stopped, or diverted through the system to provide individual room or area comfort control and energy savings.

### Product Features

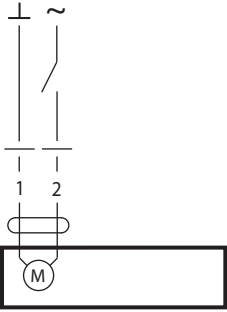
Zone valve is designed to fit in compact areas where on/off control is required using 24 VAC, 120VAC or 230VAC.

2-Way Sweat Valves				
Part Numbers	Size in [DN]	C <sub>v</sub>	ΔP	Weight
EXT-SW-SE152C2	1/2" [15]	2.5	49	.70Kg
EXT-SW-SE152C3	1/2" [15]	3.5	29	.70Kg
EXT-SW-SE202C5	3/4" [20]	5	25	.85Kg
EXT-SW-SE252C8	1" [25]	8	19	1.00Kg
3-Way Sweat Valves				
EXT-SW-SE153C2	1/2" [15]	3	49	.75Kg
EXT-SW-SE153C3	1/2" [15]	4	29	.75Kg
EXT-SW-SE203C3	3/4" [20]	4	29	.90Kg
EXT-SW-SE203C5	3/4" [20]	5	25	.90Kg
EXT-SW-SE253C8	1" [25]	8	19	1.05Kg
2-Way NPT Valves				
EXT-SW-NE152C2	1/2" [15]	2.5	49	.70Kg
EXT-SW-NE152C3	1/2" [15]	3.5	29	.70Kg
EXT-SW-NE202C3	3/4" [20]	3.5	29	.85Kg
EXT-SW-NE202C5	3/4" [20]	5	25	.85Kg
EXT-SW-NE252C8	1" [25]	8	19	1.00Kg
3-Way NPT Valves				
EXT-SW-NE153C2	1/2" [15]	3	49	.75Kg
EXT-SW-NE153C3	1/2" [15]	4	29	.75Kg
EXT-SW-NE203C3	3/4" [20]	4	29	.90Kg
EXT-SW-NE203C5	3/4" [20]	5	25	.90Kg
EXT-SW-NE253C8	1" [25]	8	19	1.05Kg
Actuators				
EXT-SW-V1	24VAC, NC Actuator			.40Kg
EXT-SW-V2	120VAC, NC Actuator			.40Kg
EXT-SW-V4	230VAC, NC Actuator			.40Kg

# EXT..., 2-Way/3-Way Zone Valves with Rotary Actuator, 24 VAC, 120VAC, or 230 VAC



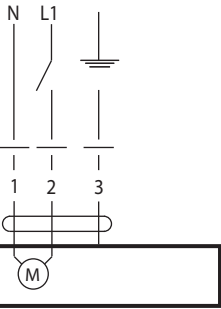
## Wiring Diagrams



Rotary actuator	Rotary valve
L1	B - A = 0%
L1	B - A = 100%

Rotary actuator	Rotary valve
L1	AB - B = 0% AB - A = 100% B - A = 0%
L1	AB - B = 100% AB - A = 0% B - A = 0%

### 24 VAC



Rotary actuator	Rotary valve
L1	B - A = 0%
L1	B - A = 100%

Rotary actuator	Rotary valve
L1	AB - B = 0% AB - A = 100% B - A = 0%
L1	AB - B = 100% AB - A = 0% B - A = 0%

### 120/230 VAC