

CTR21, CTR22, CTR23, and CTR24 Wall Modules

SPECIFICATION DATA



FEATURES

The CTR21, CTR22, CTR23, and CTR24 family of wall modules include:

- **Models with setpoint adjustment.**
- **Models with occupied/unoccupied override (bypass) with LED.**
- **Models with 3-position (auto/0/1) or 5-position (auto/0/1/2/3 speed) fan switch.**
- **LONWORKS® bus jack on all models except the CTR21 and CTR21-A models.**
- **Operating range 45°F to 99°F (7°C to 37°C).**
- **Models (CTR22 and CTR23) with user-selectable temperature setpoint dials in Fahrenheit, Celsius, and Relative (- to +).**

SPECIFICATIONS

Models: See Table 1 on page 2.

Construction: Two-piece construction, cover and internally wired subbase. Field wiring 16 to 22 AWG (1.31-0.33 sq. mm) connects to a terminal block in the subbase.

Mounting Options: All modules can be mounted on a standard two by four inch junction box or on a 60 mm diameter junction box.

Dimensions (H/W/D): See Fig. 2 on page 3.

Environmental Ratings:

- Operating Temperature: 45°F to 99°F (7°C to 37°C).
- Shipping Temperature: -40°F to 150°F (-40°C to 65.5°C).
- Relative Humidity: 5% to 95% non condensing

Humidity Output Accuracy: ±5% from 20–80% RH

Temperature Setpoint Ranges (CTR22 and CTR23 only):
The setpoint range is determined by the temperature knob installed:

- 55°F to 85°F
- 13°C to 29°C

GENERAL

The CTR21, CTR22, CTR23, and CTR24 are a family of direct wired wall modules for use with:

- Honeywell Excel 800, 600, 100, and 80 (all fully programmable) controllers
- Excel 10 W7750, W7751^a, W7752, and W7753 controllers
- W7761 Controller
- Spyder Unitary Controllers: PUL, PVL
- ComfortPoint LON Controllers: CP-UL, CP-VL

All models have a space temperature sensor. Some models have a temperature dial, setpoint adjustment, LONWORKS® bus jack, override (bypass) with LED, and fan switch. The figure above is the CTR23 model.

^a The CTR21, CTR22, CTR23, and CTR24 wall modules are not compatible with W7751A,C,E,G Controllers.



CTR21, CTR22, CTR23, AND CTR24 WALL MODULES

Accessories: 50007298-001 (pack of 12) medium, cover plate; 6-7/8 x 5 in. (175 x 127 mm).
(Optional part, extra order needed)

Approvals: CE; UL94 plastic enclosure; FCC Part 15, Class B

Temperature Sensor

CTR21, CTR22, CTR23, and CTR24 20K Ohm Non-linearized Sensor:

All models are furnished with a 20K Ohm non-linear NTC temperature sensor that follows a specific temperature resistance curve. See Fig. 1.

Honeywell controllers used with the CTR21, CTR22, CTR23 and CTR24 models employ an algorithm that provides readings close to the actual temperature. Sensor accuracy across the range of 55°F to 85°F (13°C to 29°C) is better than ±0.36°F(±0.2°C).

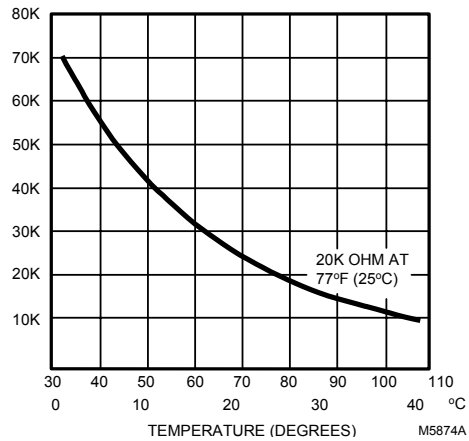


Fig. 1. Temperature vs. resistance for nonlinear sensor.

NOTE: The CTR21-A wall module model has two 20K Ohm non-linear NTC temperature sensors in parallel, which provide 10K NTC temperature sensing necessary for averaging.

Wall Module Features

Table 1 illustrates the CTR21, CTR22, CTR23, and CTR24 wall module features and lists the existing Honeywell models that they replace.

Table 1. CTR21-CTR24 Wall Module Features.^a

Model Number		Sensor Element Type	Sensor Type		Selectable Setpoint Adjustment: 55°F to 85°F, 13°C to 30°C, or Relative (- to +)	Override Button with LED	LON Jack	Fan Switching	
Honeywell Wall Module Model	Replaces Honeywell Model		Temp						
CTR21	T7770A1006	20K ohms non-linear	✓					n/a	
CTR21-A	T7770A3002	10K ohms non-linear for averaging only	✓						
CTR21-H	n/a	20K ohms non-linear	✓	✓			✓		
CTR21-J	T7770A2004		✓				✓		
CTR22	T7770B1004 T7770B1020 T7770B1046		✓		✓		✓		
CTR23	T7770C1002 T7770C1028 T7770C1044		✓		✓	✓	✓		
CTR23-H	n/a		✓	✓	✓	✓	✓		
CTR24	T7770D1000		✓			✓	✓		
CTR22-F5	n/a		✓		✓		✓		5 position
CTR23-F3	T7770E1023		✓		✓	✓	✓		3 position
CTR23-F5	T7770F1005		✓		✓	✓	✓	5 position	

^a A check mark (✓) indicates the feature is included with the wall module.

NOTE: Refer to the CTR21, CTR22, CTR23, and CTR24 Wall Modules – Installation Instructions, form 50040121-001, for wiring diagrams. Some features may not be available with all controllers.

Module Dimensions

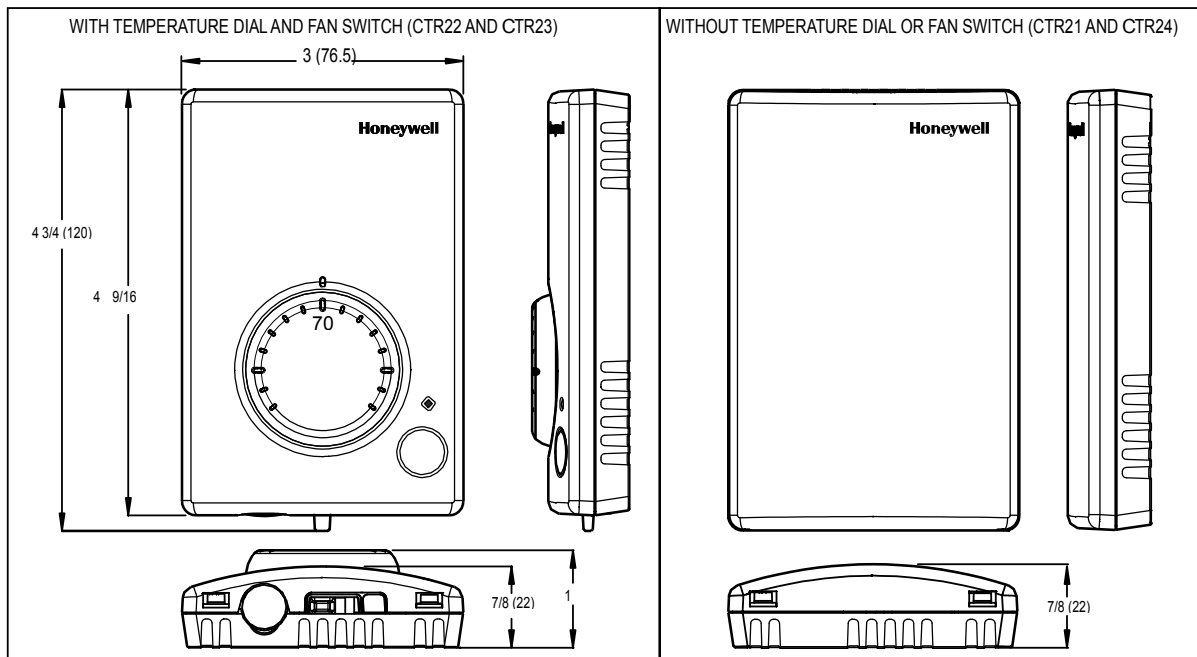


Fig. 2. Wall module dimensions in inches (mm).

Circuit Board

Fig. 3 illustrates the location of the terminal block and other features on the CTR21, CTR22, CTR23, and CTR24 models' circuit board. Table 2 on page 4 describes the terminal connections by model number.

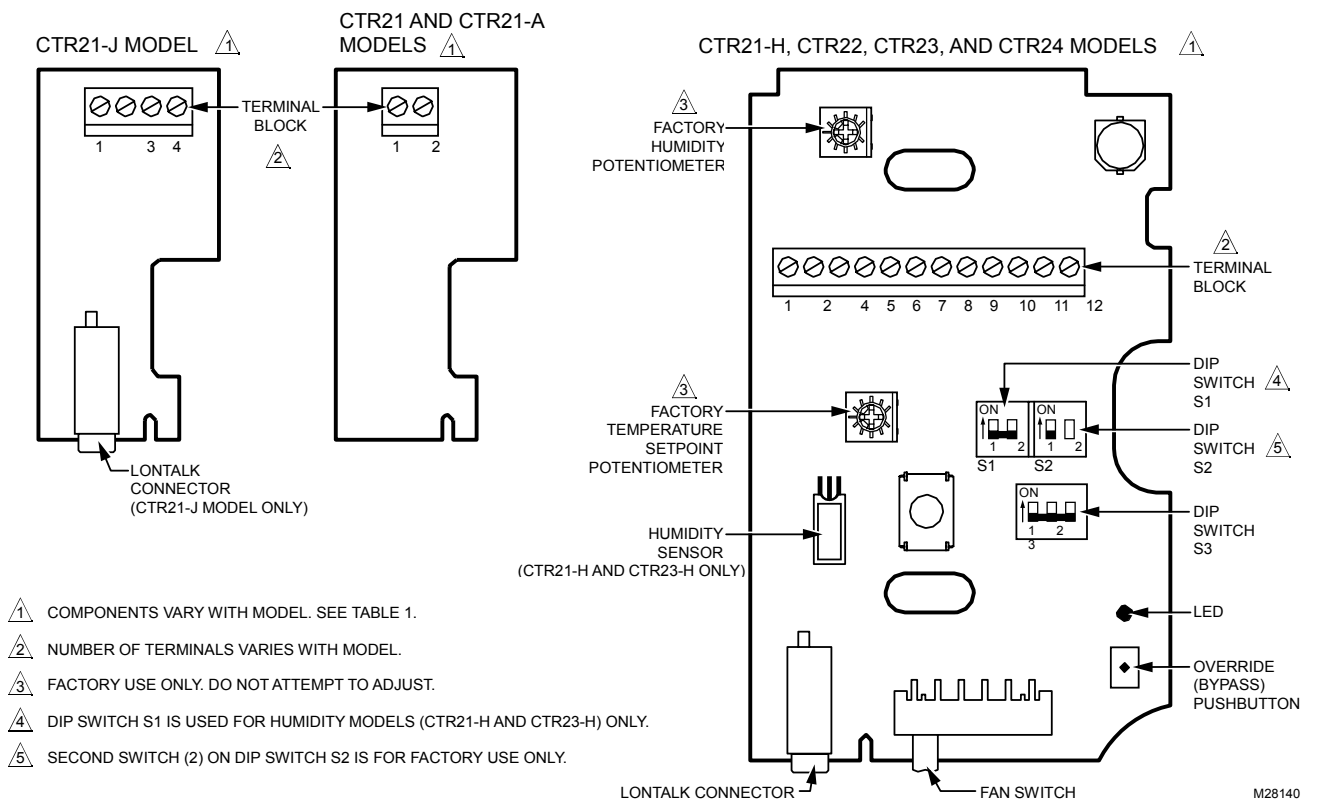


Fig. 3. Wall module circuit board components.

CTR21, CTR22, CTR23, AND CTR24 WALL MODULES

Table 2. CTR21, CTR22, CTR23, and CTR24 Wall Module Terminal Connections.^a

Wall Module Model	When Used With Controller Model(s)	Terminal Usage and Number (See Fig. 3 on page 3)											
		GND ^b	Sensor	LON + ^c	LON -	SETPT (Setpoint)	Override Return	LED	LED Return	Override / Fan	Override		18-24 Vac ^d
		1	2	3	4	5	6	7	8	9	10	11	12
CTR21	W7761	✓	✓										
CTR21-A		✓	✓										
CTR21-H		✓	✓	✓	✓							✓	✓
CTR21-J		✓	✓	✓	✓								
CTR22-F5	<ul style="list-style-type: none"> W7750, W7751, W7752, and W7753 Excel 800, 600, 100, and 80 	✓	✓	✓	✓	✓				Fan			
CTR23		✓	✓	✓	✓	✓							
CT24		✓	✓	✓	✓								
CTR23	W7753	✓	✓	✓	✓	✓		✓			✓		
CTR23-F3		✓	✓	✓	✓	✓		✓		Fan	✓		
CTR23-F5		✓	✓	✓	✓	✓		✓		Fan	✓		
CTR23-H		✓	✓	✓	✓	✓		✓			✓	✓	
CT24		✓	✓	✓	✓			✓			✓		
CTR23	<ul style="list-style-type: none"> W7750, W7751, and W7752 Spyder: PUL, PVL 	✓	✓	✓	✓	✓		✓		Override			
CTR23-F3		✓	✓	✓	✓	✓		✓		Override / Fan			
CTR23-F5		✓	✓	✓	✓	✓		✓		Override / Fan			
CTR23-H		✓	✓	✓	✓	✓		✓		Override		✓	
CT24		✓	✓	✓	✓			✓		Override			
CTR23-F3	Excel 800, 600, 100, and 80 with Fan	✓	✓	✓	✓	✓		✓	✓	Override / Fan			
CTR23-F5		✓	✓	✓	✓	✓	✓	✓	✓	Override / Fan			
CTR23	Excel 800, 600, 100, and 80 without Fan	✓	✓	✓	✓	✓	✓	✓	✓	Override			
CTR23-H		✓	✓	✓	✓	✓	✓	✓	✓	Override		✓	
CT24		✓	✓	✓	✓		✓	✓	✓	Override			

^a A check mark (✓) indicates the terminal is used in this wall module and controller configuration.

^b Earth Ground.

^c LonWorks® terminals (+ and -) are polarity insensitive.

^d Power coming from the controller to power the humidity sensor.

Communications

All wall modules (except the CTR21 and CTR21-A models) have a LONMARK® bus communications port. If needed, the jack plug must be removed in the field, and terminals 3 and 4 wired according to the installation instructions.

LONMARK® bus communication is not applicable when the wall modules are used with Excel 800/600/100/80 Controllers. The LONMARK® bus is insensitive to polarity, minimizing installation errors due to mis-wiring.

The recommended wire size for the LONMARK® bus is Level IV, 22 AWG (0.34 sq.mm) plenum or non-plenum rated, unshielded, twisted pair, solid conductor wire.

CTR22 and CTR23 Setpoint Adjustment

For the CTR22 and CTR23 Wall Modules with a setpoint adjustment, the controller must be programmed for the values in Table 3.

Table 3. Setpoint Values.

Setpoint Value	Program Setting
55°F (13°C)	2.773 V
65°F (18°C)	2.148 V
75°F (24°C)	1.345 V
85°F (29°C)	0.43 V

Humidity Settings (DIP switch S1)

The humidity sensing control mode is set with this 2-position DIP switch. Refer to Fig. 3 on page 3 for location of DIP switch S1.

NOTE: These switch settings apply only to the CTR21-H and CTR23-H models.

To change the setting, first disconnect the power, then set **SW1** and **SW2** according to Table 4.

The switch settings are used to indicate the sensing control between the humidity sensor on the wall module and the connected controller model.

Table 4. DIP Switch S1 Settings.

Wall Module Model	Sensing Control	Individual Switches	
		1	2
CTR21-H CTR23-H	0-10 Vdc	OFF	OFF
	0-5 Vdc	OFF	ON
	4-20 mA	ON	OFF

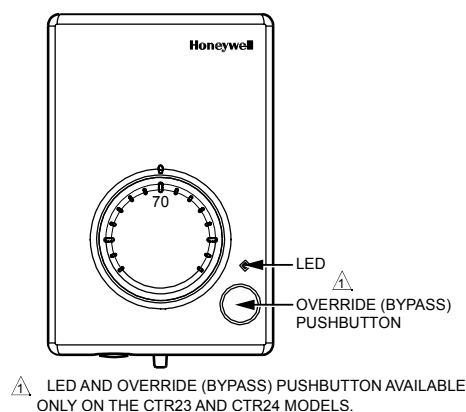
DIP Switches S2 and S3

See Fig. 3 on page 3 for location of these DIP switches. To set these DIP switches, refer to the CTR21, CTR22, CTR23, and CTR24 Wall Modules – Installation Instructions, form 50040121-001.

CTR23 and CTR24 Wall Module Override (Bypass) Pushbutton and LED Operation

When Used With Excel 10 Controllers:

The Excel 10 controllers (W7750, W7751, W7752, and W7753) provide timed occupied and unoccupied temperature setpoints for the Wall Module, see Fig. 4. The override pushbutton is used to change the controller into the modes shown in Table 5 and illustrated in Fig. 5 on page 6. The override (bypass) LED displays the override status of the controller.



M28144

Fig. 4. LED and override pushbutton locations (CTR23-F Wall Module shown).

Table 5. Wall Module Operation.

Pushbutton Held Down	Controller Mode	LED Status
0 to 1 second	No override	Off
1 to 4 seconds	Timed occupied override	On
4 to 7 seconds	Unoccupied override	Single blink per second
Longer than 7 seconds	No override	Off
not applicable	Continuous occupied override ^a	Two blinks per second

^a Remote function, which is generated from the network.

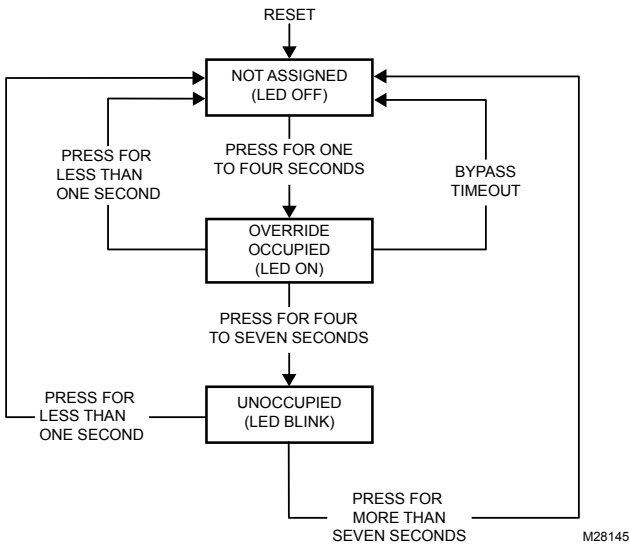


Fig. 5. Override pushbutton operation.

When Used With Excel 800/600/100/80 Controllers:

The application engineer/programmer can program the override (bypass) and LED to operate in any manner desired. The override (bypass) input is a dry contact, normally open, momentary digital input when the wall module does not have a fan switch. When a fan speed switch (basically a series of resistances based on fan switch position) is present, the override button is an analog input. See Table 7 for resistances.

When Used With T7350 Thermostat:

CTR21, CTR21-A, CTR21-H, CTR22, CTR23, and CTR24 are the models compatible with the T7350 thermostat. When using with the T7350 thermostat be sure to use the relative +/- offset knob only. The Celsius and Fahrenheit knobs will not work properly with the T7350 Thermostat.

CTR22-F5, CTR23-F3, and CTR23-F5 Wall Module Fan Switch

With the switch in the far left position (Auto), the fan automatically runs at the speed determined by the controller temperature control algorithm.

With the switch in the 0 position, the fan is off. Position 1 is fan speed 1, etc.

The wall module fan speed switch overrides the temperature control algorithm.

When Used With Excel 10 Controllers:

The Excel 10 Controllers (W7750, W7751, W7752, and W7753) can be programmed so that the fan speed switch and override button function the way that the application engineer/programmer wants. See Table 6 for controller-programming resistances. Switch 1 on Dip Switch S2 adds 10k Ohms resistance when OPEN (for Excel 800-80 controllers) and removes it when CLOSED (for Excel 10 controllers).

Table 6. Program Settings for Wall Modules with Fan Switch using Excel 10 Controllers.

For Switch Position	Resistance (Ohms)	Comment
Auto	1861 ±119	Left most position
0	2686 ±127	Fan Off position
1	3866 ±139	
2	304 ±130	
3	460 ±146	Right most position
Override button closed	Closed circuit	

When Used With Excel 800/600/100/80 Controllers:

Excel 800/600/100/80 Controllers can be programmed so that the fan speed switch and override button function the way that the application engineer/programmer wants. See Table 7 for controller-programming resistances. Switch 1 on Dip Switch S2 adds 10k Ohms resistance when OPEN (for Excel 800-80 controllers) and removes it when CLOSED (for Excel 10 controllers).

Table 7. Program Settings for Wall Modules with Fan Switch using Excel 800/600/100/80 Controllers.

For Switch Position	Resistance (Ohms)	Comment
Auto	11.861K ±119	Left most position
0	12.686K ±127	Fan Off position
1	13.866K ±139	
2	13.04K ±130	
3	14.60K ±146	Right most position
Override button closed	10K ±100	

CTR21, CTR22, CTR23, AND CTR24 WALL MODULES

CTR21, CTR22, CTR23, AND CTR24 WALL MODULES

LONWORKS® is a registered trademark of Echelon® Corporation.

LONMARK® and the LonMark Logo are trademarks of the LonMark Association.

Automation and Control Solutions

Honeywell International Inc.
1985 Douglas Drive North
Golden Valley, MN 55422
customer.honeywell.com

Honeywell(Tianjin) Limited
158,NanHai Road,TEDA
Tianjin,300457,PRC

© U.S. Registered Trademark
© 2008 Honeywell International Inc.
50040122-003

Honeywell